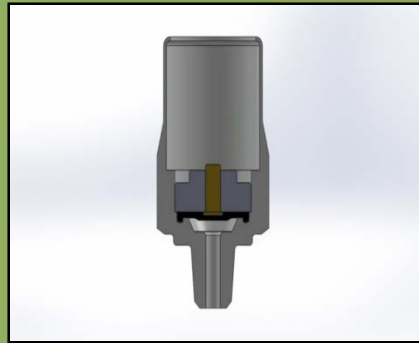


NEWS & NOTES

December 2018
Issue 39

Did you know that PVS Sensors.....

- Offers various diaphragm materials such as Buna, Viton, EPDM and **Low Temp Nitrile**, etc to be compatible with different materials and temperatures.



- Offers various electrical connections such as **Weather packs, Lighted Dins, Molded in Cables, M12 Cable Assemblies, etc.** to increase compatibility with a broad range of customer requirements.



PVS Sensors Inc
2810 Blue Ridge Blvd
West Union, SC 29696



MADE IN USA

Toll Free: 800-831-8217
Phone: 864-777-7517
Fax: 864-653-1047

Website: www.pvssensors.com



NEWS & NOTES

December 2018
Issue 39



Temperature/ Level Combination Switches

- Temperature Range: 40° - 285°F (-40° - 140°C)
- Stem & Port: Brass
- +/- 10°F Setting Tolerance



HYDRAULIC RESERVOIRS
 FLUID POWER
 LUBRICATION EQUIPMENT
 WASTE WATER TREATMENT

E-mail Contact Information:

President:

Brian Lyles

brianl@pvssensors.com

Sales:

sales@pvssensors.com

Mark Berger

markb@pvssensors.com

Lisa Burdette

lisab@pvssensors.com

Jonathan Hunt

jonathanh@pvssensors.com

Engineering:

Alex Adams

alexa@pvssensors.com

PVS Sensors Inc

2810 Blue Ridge Blvd

West Union, SC 29696

CALL 1-800-831-8217 FOR MORE DETAILS



Please Note:

Our complete catalog can
be accessed at

www.pvssensors.com

Toll Free: 800-831-8217

Phone: 864-777-7517

Fax: 864-653-1047

Website: www.pvssensors.com

Ask the Editor:

Please submit all questions / correspondence
to: brianl@pvssensors.com