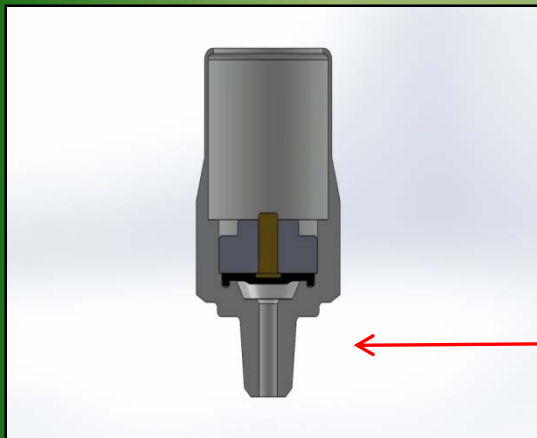




NEWS & NOTES

November 2018
Issue 38

PVS Offers Cost Effective Switches with many Product Options



PVS offers various diaphragm materials such as Buna, Viton, EPDM and **Low temp Nitrile** to be compatible with different materials and temperatures.

Port Sizes Produced to Your Specifications



PVS offers various electrical connections such as **Weather packs, Lighted Dins, Molded in Cables, M12 Cable Assemblies, etc.** to increase compatibility with a broad range of customer requirements.

Call Toll Free for More Details: 800-831-8217

PVS Sensors Inc
2816 Blue Ridge Blvd
West Union, SC 29696



MADE IN USA

Toll Free: 800-831-8217
Phone: 864-777-7517
Fax: 864-653-1047

site: www.pvssensors.com

Creep Action Pressure Switches



PMA/PMF Series Pressure Switch

- 2 – 150 PSI Range
- Factory Set or Field Adjustable
- 350 psi Maximum Overpressure
- Kapton Diaphragm (Standard)
(Optional: Viton®, EPDM, Buna-N)
® Registered Trademark of DuPont
- Various Port Sizes
- Brass Housing (other options available)
- Creep action (make/break)

E-mail Contact Information:

President:

Brian Lyles

brianl@pvssensors.com



Sales:

sales@pvssensors.com

Mark Berger

markb@pvssensors.com

Lisa Burdette

lisab@pvssensors.com

Jonathan Hunt

jonathanh@pvssensors.com

Engineering:

Alex Adams

alex@pvssensors.com

PVS Sensors Inc

2816 Blue Ridge Blvd

West Union, SC 29696

Toll Free: 800-831-8217

Phone: 864-777-7517

Fax: 864-653-1047

Website: www.pvssensors.com

Call Toll Free: 800-831-8217

Please Note:

Our complete catalog can
be accessed at

www.pvssensors.com



Ask the Editor:

Please submit all questions / correspondence
to: brianl@pvssensors.com