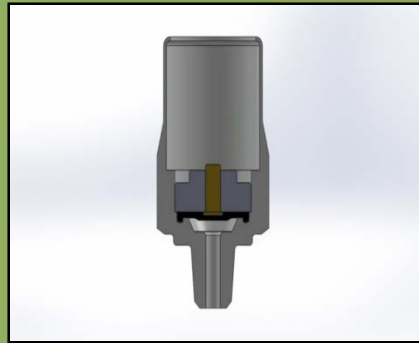


NEWS & NOTES

December 2019
Issue 48

Did you know that PVS Sensors.....

- Offers various diaphragm materials such as Buna, Viton, EPDM and **Low Temp Nitrile**, etc to be compatible with different materials and temperatures.



- Offers various electrical connections such as **Weather packs, Lighted Dins, Molded in Cables, M12 Cable Assemblies, etc.** to increase compatibility with a broad range of customer requirements.



PVS Sensors Inc
2816 Blue Ridge Blvd
West Union, SC 29696



MADE IN USA

Toll Free: 800-831-8217
Phone: 864-777-7517
Fax: 864-653-1047
Website: www.pvssensors.com



NEWS & NOTES

December 2019
Issue 48

MST SERIES PRESSURE TRANSDUCER



- Pressure Range: 0 – 3625 psi (0 – 250bar))
- Micro Fused Silicon Strain Gauge Sensing Element
- Accuracy +/- 1.0 %
- Various Outputs, Terminations and Port Sizes



**Long Term Stability, Stainless Steel, Compact Design
Used in Air Compressors, Hydraulic and Pneumatic Equipment, Chillers and Other Industrial Applications.**

E-mail Contact Information:

Sales:

sales@pvssensors.com

Mark Berger

markb@pvssensors.com

Lisa Burdette

lisab@pvssensors.com

William Fisher

willf@pvssensors.com

Crystall Jones

crystallj@pvssensors.com

Engineering:

Alex Adams

alexa@pvssensors.com

CALL 1-800-831-8217 FOR MORE DETAILS

PVS Sensors Inc
2816 Blue Ridge Blvd
West Union, SC 29696

Toll Free: 800-831-8217
Phone: 864-777-7517
Fax: 864-653-1047
Website: www.pvssensors.com



Please Note:

Our complete catalog can be accessed at
www.pvssensors.com